



INSTALLATION INSTRUCTIONS

Accessory
CIGARETTE LIGHTER
P/N 08U96-STX-200

Application
2012 MDX

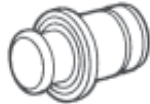
Publications No.
BII 46613
Issue Date
OCT 2011

PARTS LIST

Cigarette lighter socket



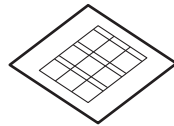
Cigarette lighter



Ring



Fuse label



TOOLS AND SUPPLIES REQUIRED

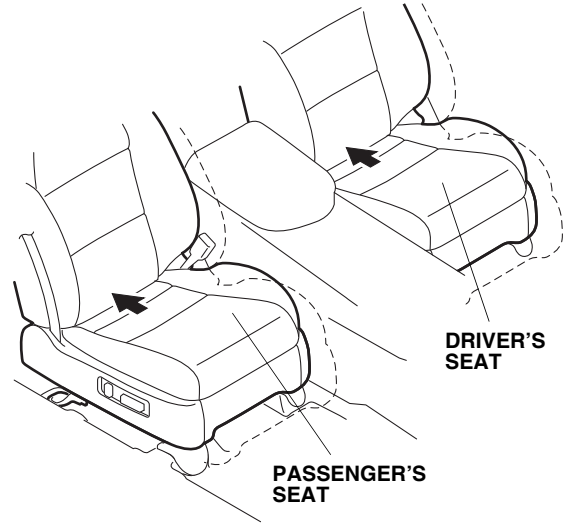
Flat-tip screw driver
Small flat-tip screwdriver
90° Awl

INSTALLATION

Client Information: The information in this installation instruction is intended for use only by skilled technicians who have the proper tools, equipment, and training to correctly and safely add equipment to your vehicle. These procedures should not be attempted by “do-it-yourselfers.”

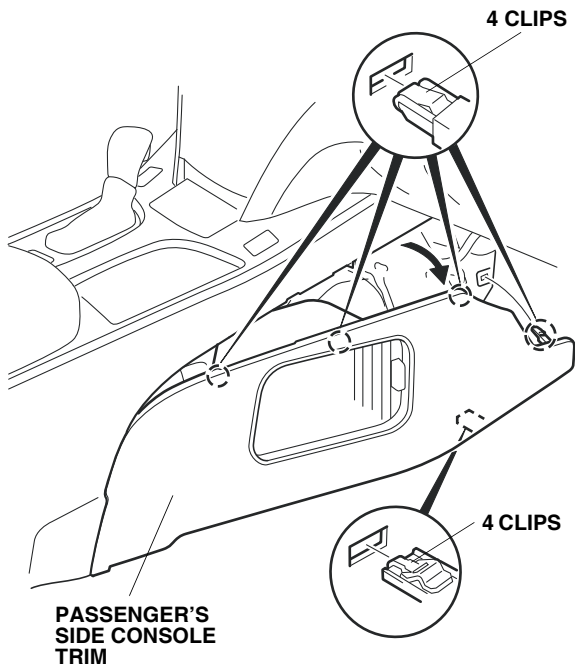
1. Make sure you have the client’s anti-theft code for the radio, then write down the radio station presets.

2. Move the front passenger’s and driver’s seats all the way rearward.

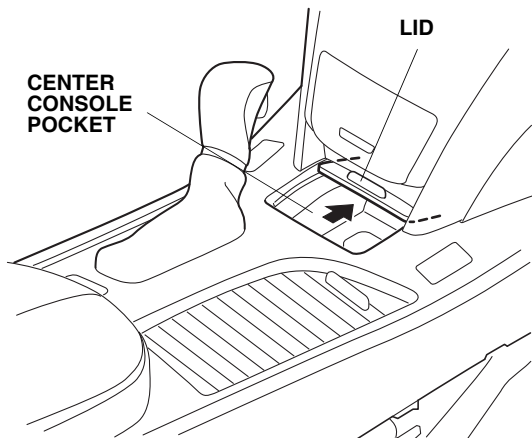


3. Disconnect the negative cable from the battery.

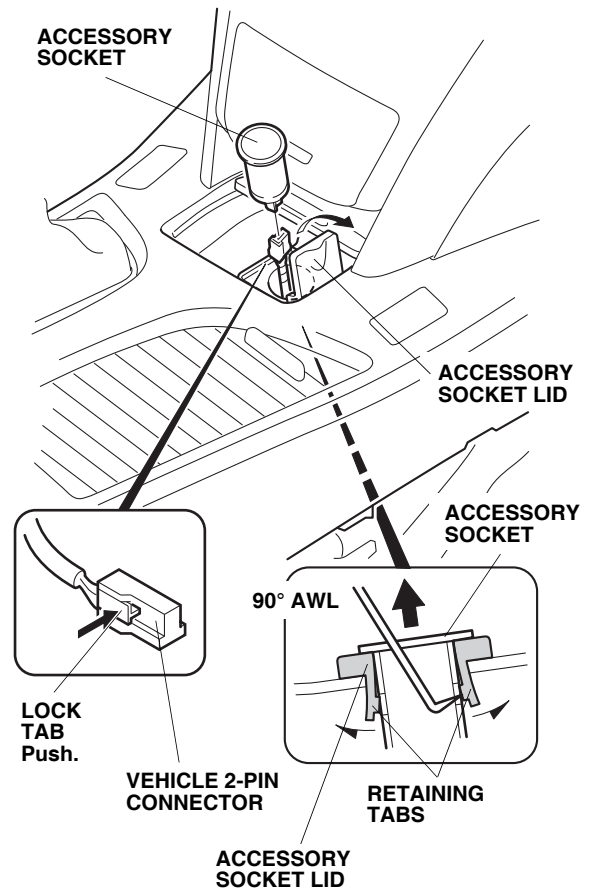
4. Remove the passenger's side console trim (four clips).



5. Open the center console pocket lid.

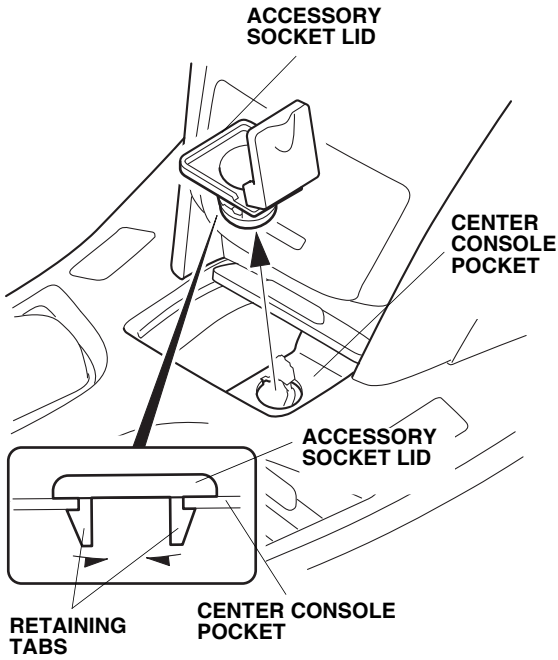


6. Open the accessory socket lid. Remove the accessory socket by reaching in the driver's console trim opening and pushing up on the accessory socket. Use a 90° awl to release the two retaining tabs.

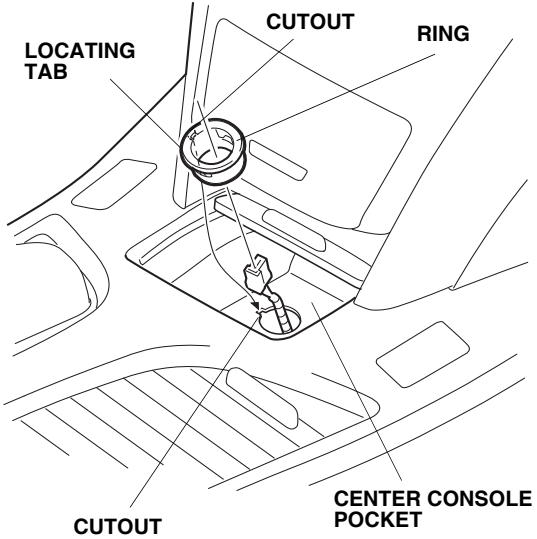


7. Push the lock tab in and disconnect the vehicle 2-pin connector from the accessory socket.

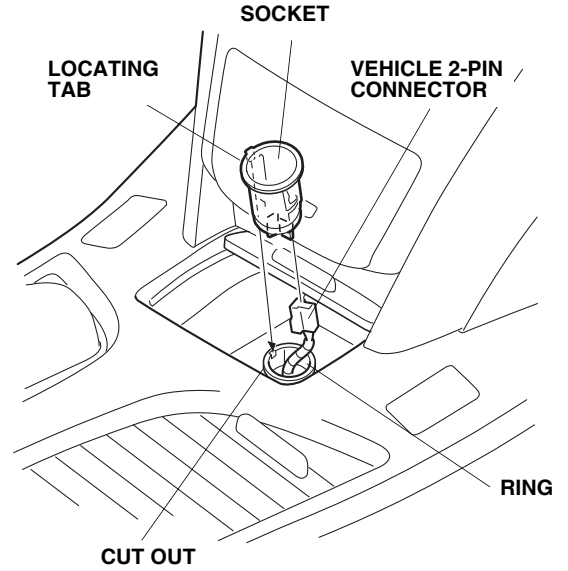
8. Remove the accessory socket lid from the center console pocket by releasing the two retaining tabs.



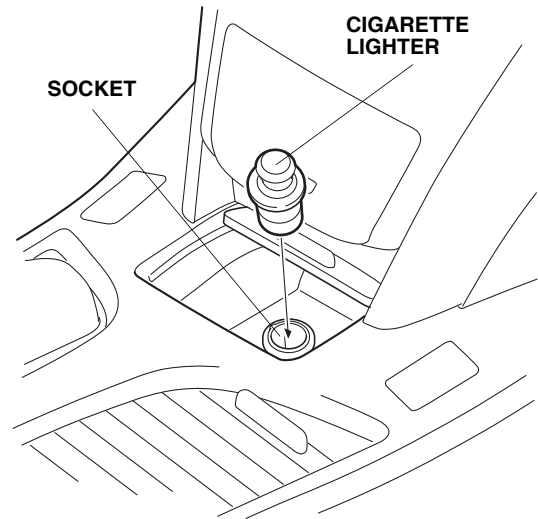
9. Slide the ring into the hole in the center console pocket in the direction shown.



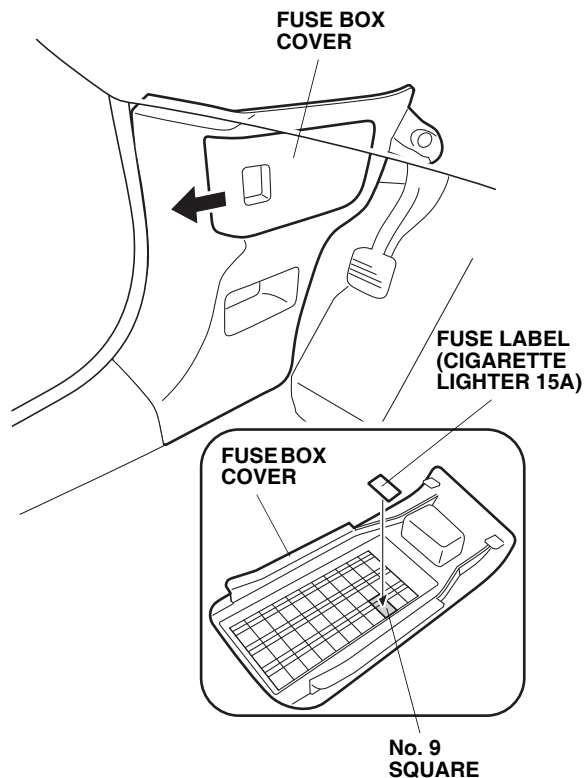
10. Connect the vehicle 2-pin connector to the socket.



11. Align the locating tab on the socket with the cutout in the ring, and slide the socket into the ring.
12. Push the cigarette lighter into the socket.



13. Remove the fuse box cover, and attach the fuse label (CIGARETTE LIGHTER 15A) over the No.9 square of the fuse box cover.



14. Reconnect the negative cable to the battery. Check that all electrical systems function properly.
15. Test the cigarette lighter.
16. Reinstall all removed parts. Check that all clips and fasteners are installed securely.
17. Enter the client's radio anti-theft code, and reset the radio station presets.
18. Reset the clock (non-Navi models).
NOTE: When the battery is disconnected, the driver's window AUTO function is disabled.
19. Start the engine. Push down on the driver's window completely, then hold the switch for 2 or more seconds.
20. Pull up on the driver's window switch to close the window completely, then hold the switch for 2 or more seconds.
21. Lower and raise the driver's window to check operation of the driver's window AUTO function.